

FT334	P/N : CW31329-101	SUBREV : B
DRAWN BY : CT	DATE : 01.14.06	SHEET 1 OF 4

FT334 Functional Trainer, Pulldown

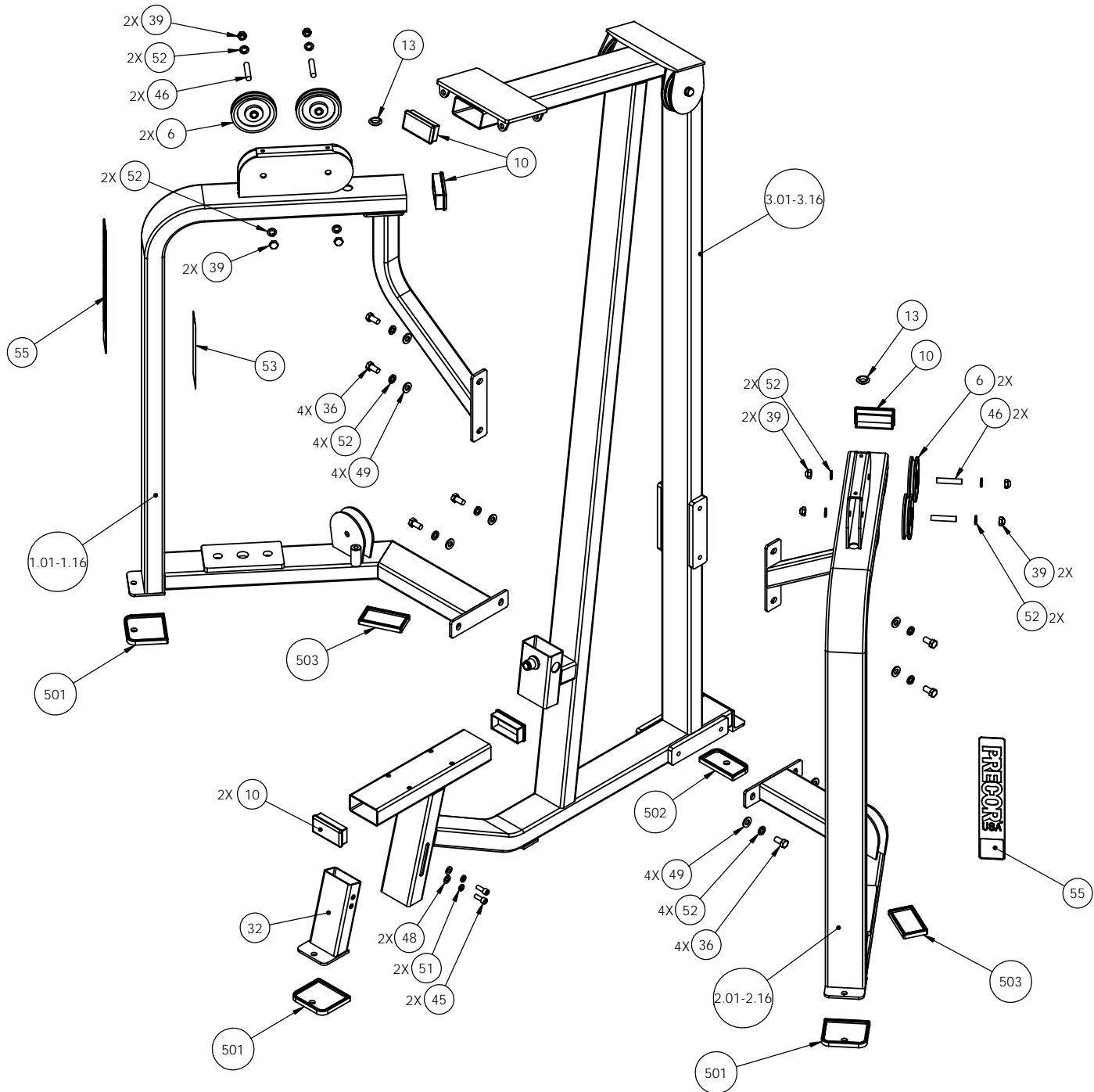
Part Number	Description	Bubble Number
CWFT334SA1-211	ASSY,FRAME,WEIGHT STK,LT,SKY WHITE	1.01
CWFT334SA1-221	ASSY,FRAME,WEIGHT STK,LT,BLACK	1.02
CWFT334SA1-231	ASSY,FRAME,WEIGHT STK,LT,RED	1.03
CWFT334SA1-241	ASSY,FRAME,WEIGHT STK,LT,PLT SPRKL	1.04
CWFT334SA1-251	ASSY,FRAME,WEIGHT STK,LT,SILVER	1.05
CWFT334SA1-261	ASSY,FRAME,WEIGHT STK,LT,BLUE	1.06
CWFT334SA1-271	ASSY,FRAME,WEIGHT STK,LT,CHARCOAL	1.07
CWFT334SA1-281	ASSY,FRAME,WEIGHT STK,LT,CATH GRAY	1.08
CWFT334SA1-291	ASSY,FRAME,WEIGHT STK,LT,SLVR VIEN	1.09
CWFT334SA1-311	ASSY,FRAME,WEIGHT STK,LEFT,STONE HG	1.11
CWFT334SA1-321	ASSY,FRAME,WGHT STK,LT,TITANIUM HG	1.12
CWFT334SA1-331	ASSY,FRAME,WEIGHT STK,LT,WHT GLOSS	1.13
CWFT334SA1-341	ASSY,FRAME,WEIGHT STK,LT,BLK ONYX	1.14
CWFT334SA1-351	ASSY,FRAME,WEIGHT STK,LT,LT. BRONZ	1.15
CWFT334SA1-361	ASSY,FRAME,WEIGHT STK,LT,SAPPHR BL	1.16
CWFT334SA2-211	ASSY,FRAME,WEIGHT STK,RT,SKY WHITE	2.01
CWFT334SA2-221	ASSY,FRAME,WEIGHT STK,RT,BLACK	2.02
CWFT334SA2-231	ASSY,FRAME,WEIGHT STK,RT,RED	2.03
CWFT334SA2-241	ASSY,FRAME,WEIGHT STK,RT,PLT SPRKL	2.04
CWFT334SA2-251	ASSY,FRAME,WEIGHT STK,RT,SILVER	2.05
CWFT334SA2-261	ASSY,FRAME,WEIGHT STK,RT,BLUE	2.06
CWFT334SA2-271	ASSY,FRAME,WEIGHT STK,RT,CHARCOAL	2.07
CWFT334SA2-281	ASSY,FRAME,WEIGHT STK,RT,CATH GRAY	2.08
CWFT334SA2-291	ASSY,FRAME,WEIGHT STK,RT,SLVR VIEN	2.09
CWFT334SA2-311	ASSY,FRAME,WEIGHT STK,RIGHT,STONE H	2.11
CWFT334SA2-321	ASSY,FRAME,WGHT STK,RT,TITANIUM HG	2.12
CWFT334SA2-331	ASSY,FRAME,WEIGHT STK,RT,WHT GLOSS	2.13
CWFT334SA2-341	ASSY,FRAME,WEIGHT STK,RT,BLK ONYX	2.14
CWFT334SA2-351	ASSY,FRAME,WEIGHT STK,RT,LT. BRONZ	2.15
CWFT334SA2-361	ASSY,FRAME,WEIGHT STK,RT,SAPPHR BL	2.16
CWFT334SA3-211	ASSY,SEAT PULLDOWN,SKY WHITE	3.01
CWFT334SA3-221	ASSY,SEAT PULLDOWN,BLACK	3.02
CWFT334SA3-231	ASSY,SEAT PULLDOWN,RED	3.03
CWFT334SA3-241	ASSY,SEAT PULLDOWN,PLATINUM SPRKL	3.04
CWFT334SA3-251	ASSY,SEAT PULLDOWN,SILVER	3.05
CWFT334SA3-261	ASSY,SEAT PULLDOWN,BLUE	3.06
CWFT334SA3-271	ASSY,SEAT PULLDOWN,CHARCOAL	3.07
CWFT334SA3-281	ASSY,SEAT PULLDOWN,CATHEDRAL GREY	3.08
CWFT334SA3-291	ASSY,SEAT PULLDOWN,SILVER VIEN	3.09
CWFT334SA3-311	ASSY,SEAT PULLDOWN,STONE HG	3.11
CWFT334SA3-321	ASSY,SEAT PULLDOWN,TITANIUM HG	3.12
CWFT334SA3-331	ASSY,SEAT PULLDOWN,WHITE GLOSS	3.13
CWFT334SA3-341	ASSY,SEAT PULLDOWN,BLACK ONYX	3.14
CWFT334SA3-351	ASSY,SEAT PULLDOWN,LIGHT BRONZE	3.15
CWFT334SA3-361	ASSY,SEAT PULLDOWN,SAPPHIRE BLUE	3.16
CWAC1009-101	PULLEY, 4 1/2 DIA. X 1/2 ID	6
CW12404-101	CAP, GUIDE ROD,DIA 3/4, BLK	8
CW30165-751	ASSY, POP PIN, 0.450 DIA HANDLE, B	9
CW11311-102	ENDCAP, REC TUBE, 2X4, BLK PLASTIC	10

CW11311-103	ENDCAP, REC TUBE, 2X2, BLK PLASTIC	11
CW12626-101	GROMMET, HOLE, FLEXTEMP, OD 1.04, I	13
CW12402-101	BUMPER, WEIGHT STACK, BLK RUBBER	14
CWGR2506-000	GRIP,RUBBER,3/4" DIA, 6"	16
CWAC1228-901	SPACER, ALU,.328 ID X .625 OD X .25	19
CWAC1236-102	GUIDE INSERT, PLASTIC WITH HOLE, BL	20
CW12589-741	CARBINE, HOOK, MEDIUM, 5/16" DIA, 3	21
CW30899-101	HANDLE, WEBBING 49.5", D-RING (2X)	22
CWPF1212-711	GUIDE ROD, 3/4 X 42 5/8 (#4), CHM	25
CWCLGG051-500	ASSY, CABLE, FT332, FT334, FT555	26
CWCLRT185-500	ASSY, CABLE, FT334	27
CWPD1105B-101	PAD,9X17,4HOLES,W/BP,BLACK	28.01
CWPD1105B-102	PAD,9X17,4HOLES,W/BP,RYL BL	28.02
CWPD1105B-103	PAD,9X17,4HOLES,W/BP,DVE GRY	28.03
CWPD1105B-104	PAD,9X17,4HOLES,W/BP,CROCUS	28.04
CWPD1105B-105	PAD,9X17,4HOLES,W/BP,GROTTO	28.05
CWPD1105B-106	PAD,9X17,4HOLES,W/BP,GRAPHITE	28.06
CWPD1105B-107	PAD,9X17,4HOLES,W/BP,RED	28.07
CWPD1105B-108	PAD,9X17,4HOLES,W/BP,CHN GRN	28.08
CWPD1105B-109	PAD,9X17,4HOLES,W/BP,TURQSE	28.09
CWPD1105B-112	PAD,9X17,4HOLES,W/BP,REGIMENT	28.12
CWPD1105B-113	PAD,9X17,4HOLES,W/BP,SPC BLUE	28.13
CWPD1105B-115	PAD,9X17,4HOLES,W/BP,BLK LTHR	28.15
CWPD1105B-116	PAD,9X17,4HOLES,W/BP,NVBL LTH	28.16
CWPD1105B-117	PAD,9X17,4HOLES,W/BP,PUTTY	28.17
CWPD1105B-118	PAD,9X17,4HOLES,W/BP,IMPRL BLUE	28.18
CWPD1105B-119	PAD,9X17,4HOLES,W/BP,YEW GREEN	28.19
CWPD1105B-120	PAD,9X17,4HOLES,W/BP,DUSTY JADE	28.2
CWPD1105B-121	PAD,9X17,4HOLES,W/BP,TERRA COTTA	28.21
CWPD1105B-122	PAD,9X17,4HOLES,W/BP,PAPRIKA	28.22
CWPD1105B-123	PAD,9X17,4HOLES,W/BP,ASH LTHR	28.23
CWPD1105B-124	PAD,9X17,4HOLES,W/BP,CERULEAN LTHR	28.24
CWPD1105B-125	PAD,9X17,4HOLES,W/BP,CHARCOAL LTHR	28.25
CWPD1105B-126	PAD,9X17,4HOLES,W/BP,HUNTER LTHR	28.26
CWPD1105B-127	PAD,9X17,4HOLES,W/BP,MOSS LTHR	28.27
CWPD1105B-128	PAD,9X17,4HOLES,W/BP,SPICE LTHR	28.28
CWPD1105B-129	PAD,9X17,4HOLES,W/BP,TOMATO LTHR	28.29
CWPD1141J-101	PAD,4X19,2HOLES,W/BP,BLACK, W/SLIP	29.01
CWPD1141J-102	PAD,4X19,2HOLES,W/BP,RYL BL, W/SLIP	29.02
CWPD1141J-103	PAD,4X19,2HOLES,W/BP,DVE GRY, W/SLI	29.03
CWPD1141J-104	PAD,4X19,2HOLES,W/BP,CROCUS, W/SLIP	29.04
CWPD1141J-105	PAD,4X19,2HOLES,W/BP,GROTTO, W/SLIP	29.05
CWPD1141J-106	PAD,4X19,2HOLES,W/BP,GRAPHITE, W/SL	29.06
CWPD1141J-107	PAD,4X19,2HOLES,W/BP,RED, W/SLIP	29.07
CWPD1141J-108	PAD,4X19,2HOLES,W/BP,CHN GRN, W/SLI	29.08
CWPD1141J-109	PAD,4X19,2HOLES,W/BP,TURQSE,W/SLIP	29.09
CWPD1141J-112	PAD,4X19,2HOLES,W/BP,REGIMENT,W/SLI	29.12
CWPD1141J-113	PAD,4X19,2HOLES,W/BP,SPC BLUE,W/SLI	29.13
CWPD1141J-115	PAD,4X19,2HOLES,W/BP,BLK LTHR,W/SLI	29.15
CWPD1141J-116	PAD,4X19,2HOLES,W/BP,NVBL LTH,W/SLI	29.16
CWPD1141J-117	PAD,4X19,2HOLES,W/BP,PUTTY,W/SLIP	29.17

CWPD1141J-118	PAD,4X19,2HOLES,W/BP,IMPRL BL,W/SLI	29.18
CWPD1141J-119	PAD,4X19,2HOLES,W/BP,YEW GRN,W/SLIP	29.19
CWPD1141J-120	PAD,4X19,2HOLES,W/BP,DSTY JD,W/SLIP	29.2
CWPD1141J-121	PAD,4X19,2HOLES,W/BP,TER COT,W/SLIP	29.21
CWPD1141J-122	PAD,4X19,2HOLES,W/BP,PAPRIKA,W/SLIP	29.22
CWPD1141J-123	PAD,4X19,2HOLES,W/BP,ASH LTHR,W/SLI	29.23
CWPD1141J-124	PAD,4X19,2HOLES,W/BP,CERULEAN LTHR,	29.24
CWPD1141J-125	PAD,4X19,2HOLES,W/BP,CHARCOAL LTHR,	29.25
CWPD1141J-126	PAD,4X19,2HOLES,W/BP,HUNTER LTHR,W/	29.26
CWPD1141J-127	PAD,4X19,2HOLES,W/BP,MOSS LTHR,W/SL	29.27
CWPD1141J-128	PAD,4X19,2HOLES,W/BP,SPICE LTHR,W/S	29.28
CWPD1141J-129	PAD,4X19,2HOLES,W/BP,TOMATO LTHR,W/	29.29
CWPF1016-731	BAR,,FLAT CR/HR, 3/8 X 2 X 8 1/4, 3	30
CW31303-721	ASSY, PIVOTING PULLEY HOUSING, WRKL	31
CWSA1117-731	ASSY,ADJ. LEVELING FOOT,BLK ZINC	32
CW31214-721	ASSY,FLOATING PULLEY HOUSING,	33
CWSA3020-211	ASSY,THIGH PAD ADJUSTER, SKY WHITE	34.01
CWSA3020-221	ASSY,THIGH PAD ADJUSTER, BLACK	34.02
CWSA3020-231	ASSY,THIGH PAD ADJUSTER, RED	34.03
CWSA3020-241	ASSY,THIGH PAD ADJUSTER, PLATINUM S	34.04
CWSA3020-251	ASSY,THIGH PAD ADJUSTER, SILVER	34.05
CWSA3020-261	ASSY,THIGH PAD ADJUSTER, BLUE	34.06
CWSA3020-271	ASSY,THIGH PAD ADJUSTER, CHARCOAL	34.07
CWSA3020-281	ASSY,THIGH PAD ADJUSTER, CATHEDRAL	34.08
CWSA3020-291	ASSY,THIGH PAD ADJUSTER, SILVER VIE	34.09
CWSA3020-311	ASSY,THIGH PAD ADJUSTER	34.11
CWSA3020-321	ASSY,THIGH PAD ADJUSTER, TITANIUM H	34.12
CWSA3020-331	ASSY,THIGH PAD ADJUSTER, WHITE GLOS	34.13
CWSA3020-341	ASSY,THIGH PAD ADJUSTER, BLACK ONYX	34.14
CWSA3020-351	ASSY,THIGH PAD ADJUSTER, LIGHT BRON	34.15
CWSA3020-361	ASSY,THIGH PAD ADJUSTER, SAPPHIRE B	34.16
CWHCYN050-100	SCREW,HEX HEAD,BLK XYLAN,1/2-13 X 1	36
CWHCCN050-600	SCREW, HEX HEAD, ZINC, 1/2-13 X 6	37
CWKDYN050-059	LOCKNUT, NYLON INSERT, FULL, UNC, 1	38
CWKADLN050-081	NUT, ACORN, 1/2-13	39
CW12537-109	NUT,INSERT,THIN-NUT,LARGE FLANGE	40
CWTAYN031-100	SCREW, BUTTON HEAD, BLK XYLAN, 5/1	41
CWTAYN031-150	SCREW, BUTTON HEAD, BLK XYLAN,5/16	42
CWTAYN031-300	SCREW, BUTTON HEAD, BLK XYLAN,5/16	43
CWCAYN025-050	SCREW, SOCKET HEAD, BLK XYLAN	44
CWCAYN038-100	SCREW, SOCKET HEAD, BLK XYLAN, 3/	45
CWBFNN050-250	STUD, 1/2-13 X 2 1/2	46
CWWBKN031-007	WASHER, FLAT, TYPE A, SAE, 5/16 ID	47
CWWBKN038-007	WASHER, FLAT, TYPE A, SAE, 3/8 ID	48
CWWBKN050-010	WASHER, FLAT, TYPE A, SAE, 1/2 ID X	49
CWWALYN031-008	WASHER, SPLIT, 5/16 ID, BL	50
CWWALYN038-009	WASHER, SPLIT, 3/8 ID, BLK XYLAN	51
CWWALYN050-013	WASHER, SPLIT, 1/2 ID, BLK XYLAN	52
CW30010-101	LABEL,WARNING STRENGTH	53
CW30158-101	ASSY, LABEL,INSTRUCTION,FT334	54
CW31756-101	LABEL, PRECOR USA ICARIAN LINE	55

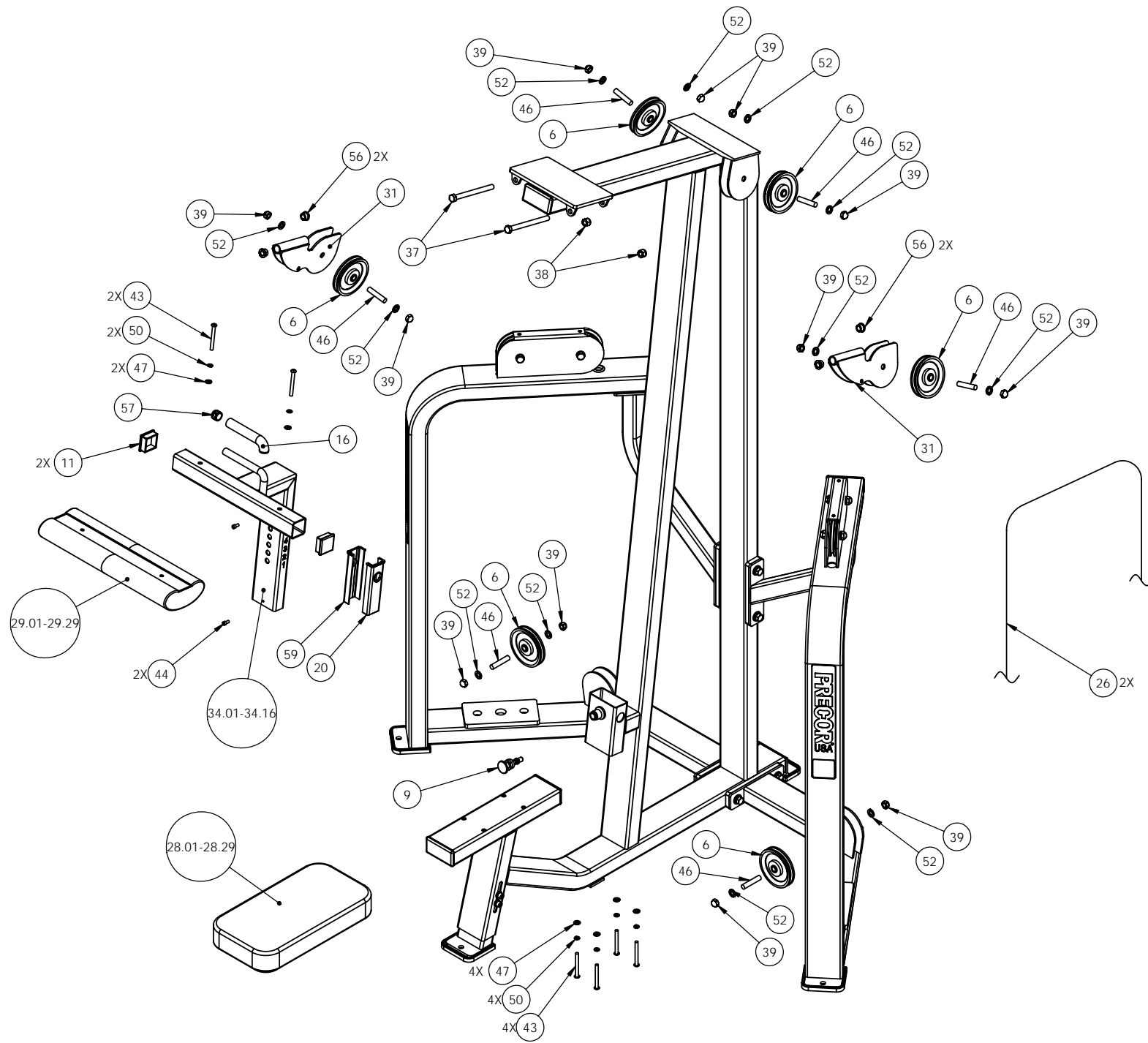
CW10043-132	BUSHING, BRONZE, 1/2" ID X 3/4" OD	56
CWAC220-901	HANDLE END CAP W/SET SCREWS, DIA 3/	57
CWAC1236-101	GUIDE INSERT, PLASTIC WITHOUT HOLE,	59
CW10510-721	ASSY, PLATE, WEIGHT, 10 LBS, WRKL B	201
CW10520-721	ASSY, PLATE, WEIGHT, 20 LBS, WRKL B	202
CWAC1133-101	BUSHING, WEIGHT PLATE, LDPE PLASTIC	203
CW30173-751	ASSY, 6.00 IN WEIGHT STACK PIN AND	228
CWLDNN038-200	PIN, ROLL, DIA 3/8 X 2	250
CW30184-901	ASSY,BARREL, TOP PLATE,ALUMINUM	251
CW10550-721	PLATE, WEIGHT, MED TOP (MTP-S), 10	283
CW10550-722	PLATE, WEIGHT, MED TOP (MTP-S), 10	283
CW30130-711	SELECTOR STEM, 15 PLATE,0 .875 DIA,	304
CW30011-101	LABEL,WARNING WEIGHT STACK	311
CW12401-102	LABEL, WEIGHT PLATE, 10 LBS/ 4.6 KG	315
CW12401-104	LABEL, WEIGHT PLATE, 15 LBS/ 6.8 KG	317
CW12401-106	LABEL, WEIGHT PLATE, 20 LBS/ 8 KG	319
CW12401-108	LABEL, WEIGHT PLATE, 25 LBS/ 11.4 K	321
CW12401-110	LABEL, WEIGHT PLATE, 30 LBS/ 13.6 K	323
CW12401-112	LABEL, WEIGHT PLATE, 35 LBS/ 15.9 K	325
CW12401-114	LABEL, WEIGHT PLATE, 40 LBS/ 18.2 K	327
CW12401-116	LABEL, WEIGHT PLATE, 45 LBS/ 20.5 K	329
CW12401-118	LABEL, WEIGHT PLATE, 50 LBS/ 22.7 K	331
CW12401-119	LABEL, WEIGHT PLATE, 55 LBS/ 25 KG	332
CW12401-120	LABEL, WEIGHT PLATE, 60 LBS/ 27.3 K	333
CW12401-121	LABEL, WEIGHT PLATE, 65 LBS/ 29.5 K	334
CW12401-122	LABEL, WEIGHT PLATE, 70 LBS/ 31.8 K	335
CW12401-123	LABEL, WEIGHT PLATE, 75 LBS/ 34.1 K	336
CW12401-124	LABEL, WEIGHT PLATE, 80 LBS/ 36.4 K	337
CW12401-125	LABEL, WEIGHT PLATE, 85 LBS/ 38.6 K	338
CW12401-126	LABEL, WEIGHT PLATE, 90 LBS/ 40.9 K	339
CW12401-127	LABEL, WEIGHT PLATE, 95 LBS/ 43.2 K	340
CW12401-128	LABEL, WEIGHT PLATE, 100 LBS/ 45.5	341
CW12401-152	LABEL, WEIGHT PLATE, 105 LBS/ 47.7	365
CW12401-153	LABEL, WEIGHT PLATE, 115 LBS/ 52.3	366
CW12401-154	LABEL, WEIGHT PLATE, 125 LBS/ 56.8	367
CW12537-109	NUT,INSERT,THIN-NUT,LARGE FLANGE	400
CW30126-101	LABEL,VINYL, PRECOR, 3.25 X 18.0	401
CWPF3143-211	SHROUD,SHEET,STEEL,3/32 THICK,4 BEN	402.01
CWPF3143-221	SHROUD,SHEET,STEEL,3/32 THICK,4 BEN	402.02
CWPF3143-231	SHROUD,SHEET,STEEL,3/32 THICK,4 BEN	402.03
CWPF3143-241	SHROUD,SHEET,STEEL,3/32 THICK,4 BEN	402.04
CWPF3143-251	SHROUD,SHEET,STEEL,3/32 THICK,4 BEN	402.05
CWPF3143-261	SHROUD,SHEET,STEEL,3/32 THICK,4 BEN	402.06
CWPF3143-271	SHROUD,SHEET,STEEL,3/32 THICK,4 BEN	402.07
CWPF3143-281	SHROUD,SHEET,STEEL,3/32 THICK,4 BEN	402.08
CWPF3143-291	SHROUD,SHEET,STEEL,3/32 THICK,4 BEN	402.09
CWPF3143-311	SHROUD,SHEET,STEEL,3/32 THICK,4 BEN	402.11
CWPF3143-321	SHROUD,SHEET,STEEL,3/32 THICK,4 BEN	402.12
CWPF3143-331	SHROUD,SHEET,STEEL,3/32 THICK,4 BEN	402.13
CWPF3143-341	SHROUD,SHEET,STEEL,3/32 THICK,4 BEN	402.14
CWPF3143-351	SHROUD,SHEET,STEEL,3/32 THICK,4 BEN	402.15

CWPF3143-361	SHROUD,SHEET,STEEL,3/32 THICK,4 BEN	402.16
CWPF3143-711	SHROUD,SHEET,STEEL,3/32 THICK,4 BEN	402.17
CWPF3144-721	SHROUD BRKT,PLATE,STEEL,1/8 THICK,1	403
CWPF3145-721	SHROUD BRKT,PLATE,STEEL,1/8 THICK,2	404
CWTAYN031-100	SCREW, BUTTON HEAD, BLK XYLAN, 5/1	405
CWWALYN031-008	WASHER, SPLIT, 5/16 ID, BL	406
CWWBKN031-007	WASHER, FLAT, TYPE A, SAE, 5/16 ID	407
CWAC1177-101	FLOOR PROTECTOR, RUBBER, 4.563 X 4.	501
CWAC1179-101	FLOOR PROTECTOR, RUBBER, 4.813 X 2.	502
CWAC1180-101	FLOOR PROTECTOR, RUBBER, 2.563 X 4.	503

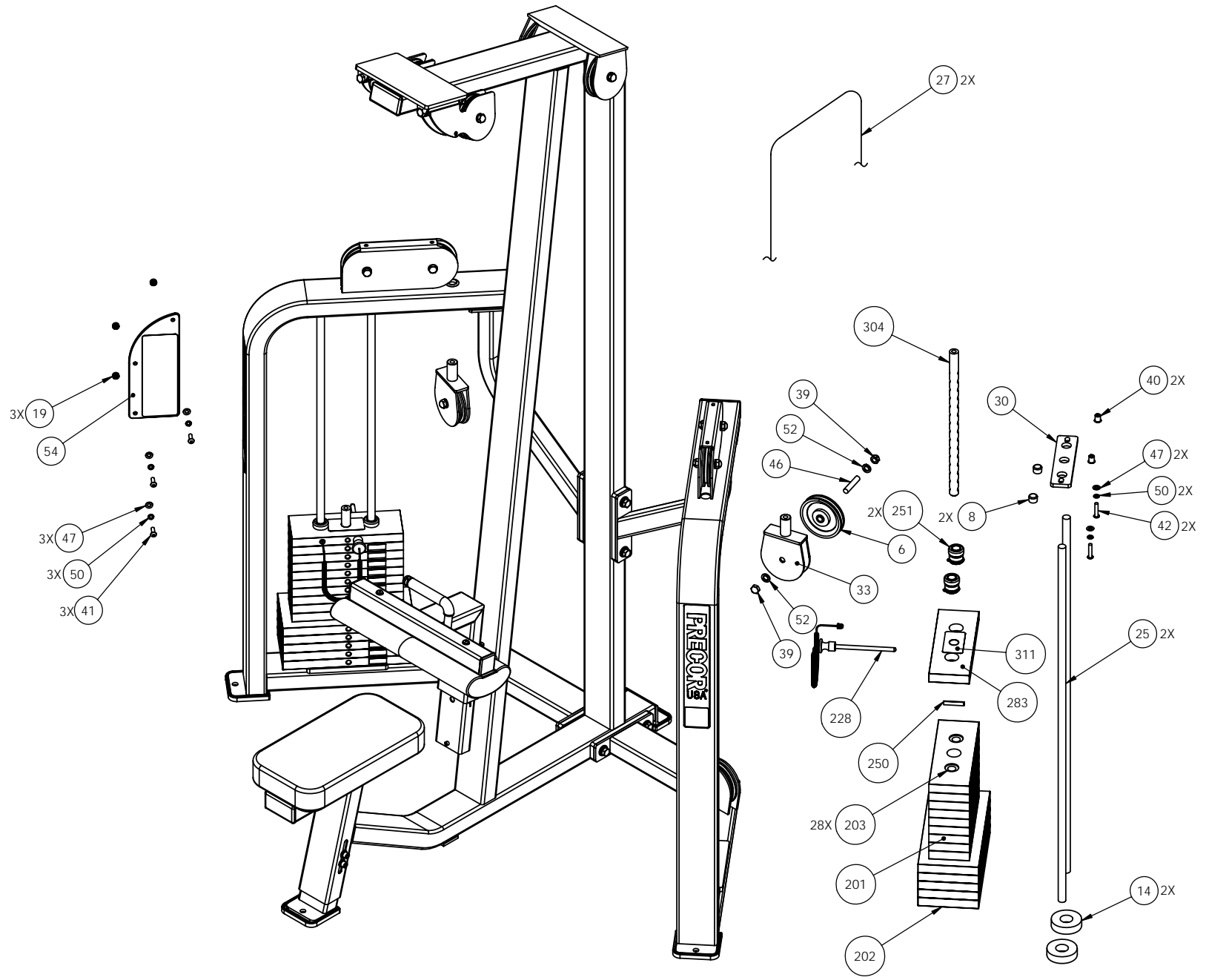


PRECOR

FT334	P/N : CW31329-101	SUBREV : B
DRAWN BY : CT	DATE : 01.14.06	SHEET 2 OF 4



FT334	P/N : CW31329-101	SUBREV : B
DRAWN BY : CT	DATE : 01.14.06	SHEET 3 OF 4



**VIEW EXPLODED FOR RIGHT FRAME
LEFT FRAME HAS IDENTICAL COMPONENTS**

FT334	P/N : CW31329-101	SUBREV : B
DRAWN BY : CT	DATE : 01.14.06	SHEET 4 OF 4

FT334 Functional Trainer, Pulldown

Part Number	Description	Bubble Number
CWFT334SA1-211	ASSY,FRAME,WEIGHT STK,LT,SKY WHITE	1.01
CWFT334SA1-221	ASSY,FRAME,WEIGHT STK,LT,BLACK	1.02
CWFT334SA1-231	ASSY,FRAME,WEIGHT STK,LT,RED	1.03
CWFT334SA1-241	ASSY,FRAME,WEIGHT STK,LT,PLT SPRKL	1.04
CWFT334SA1-251	ASSY,FRAME,WEIGHT STK,LT,SILVER	1.05
CWFT334SA1-261	ASSY,FRAME,WEIGHT STK,LT,BLUE	1.06
CWFT334SA1-271	ASSY,FRAME,WEIGHT STK,LT,CHARCOAL	1.07
CWFT334SA1-281	ASSY,FRAME,WEIGHT STK,LT,CATH GRAY	1.08
CWFT334SA1-291	ASSY,FRAME,WEIGHT STK,LT,SLVR VIEN	1.09
CWFT334SA1-311	ASSY,FRAME,WEIGHT STK,LEFT,STONE HG	1.11
CWFT334SA1-321	ASSY,FRAME,WGHT STK,LT,TITANIUM HG	1.12
CWFT334SA1-331	ASSY,FRAME,WEIGHT STK,LT,WHT GLOSS	1.13
CWFT334SA1-341	ASSY,FRAME,WEIGHT STK,LT,BLK ONYX	1.14
CWFT334SA1-351	ASSY,FRAME,WEIGHT STK,LT,LT. BRONZ	1.15
CWFT334SA1-361	ASSY,FRAME,WEIGHT STK,LT,SAPPHR BL	1.16
CWFT334SA2-211	ASSY,FRAME,WEIGHT STK,RT,SKY WHITE	2.01
CWFT334SA2-221	ASSY,FRAME,WEIGHT STK,RT,BLACK	2.02
CWFT334SA2-231	ASSY,FRAME,WEIGHT STK,RT,RED	2.03
CWFT334SA2-241	ASSY,FRAME,WEIGHT STK,RT,PLT SPRKL	2.04
CWFT334SA2-251	ASSY,FRAME,WEIGHT STK,RT,SILVER	2.05
CWFT334SA2-261	ASSY,FRAME,WEIGHT STK,RT,BLUE	2.06
CWFT334SA2-271	ASSY,FRAME,WEIGHT STK,RT,CHARCOAL	2.07
CWFT334SA2-281	ASSY,FRAME,WEIGHT STK,RT,CATH GRAY	2.08
CWFT334SA2-291	ASSY,FRAME,WEIGHT STK,RT,SLVR VIEN	2.09
CWFT334SA2-311	ASSY,FRAME,WEIGHT STK,RIGHT,STONE H	2.11
CWFT334SA2-321	ASSY,FRAME,WGHT STK,RT,TITANIUM HG	2.12
CWFT334SA2-331	ASSY,FRAME,WEIGHT STK,RT,WHT GLOSS	2.13
CWFT334SA2-341	ASSY,FRAME,WEIGHT STK,RT,BLK ONYX	2.14
CWFT334SA2-351	ASSY,FRAME,WEIGHT STK,RT,LT. BRONZ	2.15
CWFT334SA2-361	ASSY,FRAME,WEIGHT STK,RT,SAPPHR BL	2.16
CWFT334SA3-211	ASSY,SEAT PULLDOWN,SKY WHITE	3.01
CWFT334SA3-221	ASSY,SEAT PULLDOWN,BLACK	3.02
CWFT334SA3-231	ASSY,SEAT PULLDOWN,RED	3.03
CWFT334SA3-241	ASSY,SEAT PULLDOWN,PLATINUM SPRKL	3.04
CWFT334SA3-251	ASSY,SEAT PULLDOWN,SILVER	3.05
CWFT334SA3-261	ASSY,SEAT PULLDOWN,BLUE	3.06
CWFT334SA3-271	ASSY,SEAT PULLDOWN,CHARCOAL	3.07
CWFT334SA3-281	ASSY,SEAT PULLDOWN,CATHEDRAL GREY	3.08
CWFT334SA3-291	ASSY,SEAT PULLDOWN,SILVER VIEN	3.09
CWFT334SA3-311	ASSY,SEAT PULLDOWN,STONE HG	3.11
CWFT334SA3-321	ASSY,SEAT PULLDOWN,TITANIUM HG	3.12
CWFT334SA3-331	ASSY,SEAT PULLDOWN,WHITE GLOSS	3.13
CWFT334SA3-341	ASSY,SEAT PULLDOWN,BLACK ONYX	3.14
CWFT334SA3-351	ASSY,SEAT PULLDOWN,LIGHT BRONZE	3.15
CWFT334SA3-361	ASSY,SEAT PULLDOWN,SAPPHIRE BLUE	3.16
CWAC1009-101	PULLEY, 4 1/2 DIA. X 1/2 ID	6
CW12404-101	CAP, GUIDE ROD,DIA 3/4, BLK	8
CW30165-751	ASSY, POP PIN, 0.450 DIA HANDLE, B	9
CW11311-102	ENDCAP, REC TUBE, 2X4, BLK PLASTIC	10

CW11311-103	ENDCAP, REC TUBE, 2X2, BLK PLASTIC	11
CW12626-101	GROMMET, HOLE, FLEXTEMP, OD 1.04, I	13
CW12402-101	BUMPER, WEIGHT STACK, BLK RUBBER	14
CWGR2506-000	GRIP,RUBBER,3/4" DIA, 6"	16
CWAC1228-901	SPACER, ALU,.328 ID X .625 OD X .25	19
CWAC1236-102	GUIDE INSERT, PLASTIC WITH HOLE, BL	20
CW12589-741	CARBINE, HOOK, MEDIUM, 5/16" DIA, 3	21
CW30899-101	HANDLE, WEBBING 49.5", D-RING (2X)	22
CWPF1212-711	GUIDE ROD, 3/4 X 42 5/8 (#4), CHM	25
CWCLGG051-500	ASSY, CABLE, FT332, FT334, FT555	26
CWCLRT185-500	ASSY, CABLE, FT334	27
CWPD1105B-101	PAD,9X17,4HOLES,W/BP,BLACK	28.01
CWPD1105B-102	PAD,9X17,4HOLES,W/BP,RYL BL	28.02
CWPD1105B-103	PAD,9X17,4HOLES,W/BP,DVE GRY	28.03
CWPD1105B-104	PAD,9X17,4HOLES,W/BP,CROCUS	28.04
CWPD1105B-105	PAD,9X17,4HOLES,W/BP,GROTTO	28.05
CWPD1105B-106	PAD,9X17,4HOLES,W/BP,GRAPHITE	28.06
CWPD1105B-107	PAD,9X17,4HOLES,W/BP,RED	28.07
CWPD1105B-108	PAD,9X17,4HOLES,W/BP,CHN GRN	28.08
CWPD1105B-109	PAD,9X17,4HOLES,W/BP,TURQSE	28.09
CWPD1105B-112	PAD,9X17,4HOLES,W/BP,REGIMENT	28.12
CWPD1105B-113	PAD,9X17,4HOLES,W/BP,SPC BLUE	28.13
CWPD1105B-115	PAD,9X17,4HOLES,W/BP,BLK LTHR	28.15
CWPD1105B-116	PAD,9X17,4HOLES,W/BP,NVBL LTH	28.16
CWPD1105B-117	PAD,9X17,4HOLES,W/BP,PUTTY	28.17
CWPD1105B-118	PAD,9X17,4HOLES,W/BP,IMPRL BLUE	28.18
CWPD1105B-119	PAD,9X17,4HOLES,W/BP,YEW GREEN	28.19
CWPD1105B-120	PAD,9X17,4HOLES,W/BP,DUSTY JADE	28.2
CWPD1105B-121	PAD,9X17,4HOLES,W/BP,TERRA COTTA	28.21
CWPD1105B-122	PAD,9X17,4HOLES,W/BP,PAPRIKA	28.22
CWPD1105B-123	PAD,9X17,4HOLES,W/BP,ASH LTHR	28.23
CWPD1105B-124	PAD,9X17,4HOLES,W/BP,CERULEAN LTHR	28.24
CWPD1105B-125	PAD,9X17,4HOLES,W/BP,CHARCOAL LTHR	28.25
CWPD1105B-126	PAD,9X17,4HOLES,W/BP,HUNTER LTHR	28.26
CWPD1105B-127	PAD,9X17,4HOLES,W/BP,MOSS LTHR	28.27
CWPD1105B-128	PAD,9X17,4HOLES,W/BP,SPICE LTHR	28.28
CWPD1105B-129	PAD,9X17,4HOLES,W/BP,TOMATO LTHR	28.29
CWPD1141J-101	PAD,4X19,2HOLES,W/BP,BLACK, W/SLIP	29.01
CWPD1141J-102	PAD,4X19,2HOLES,W/BP,RYL BL, W/SLIP	29.02
CWPD1141J-103	PAD,4X19,2HOLES,W/BP,DVE GRY, W/SLI	29.03
CWPD1141J-104	PAD,4X19,2HOLES,W/BP,CROCUS, W/SLIP	29.04
CWPD1141J-105	PAD,4X19,2HOLES,W/BP,GROTTO, W/SLIP	29.05
CWPD1141J-106	PAD,4X19,2HOLES,W/BP,GRAPHITE, W/SL	29.06
CWPD1141J-107	PAD,4X19,2HOLES,W/BP,RED, W/SLIP	29.07
CWPD1141J-108	PAD,4X19,2HOLES,W/BP,CHN GRN, W/SLI	29.08
CWPD1141J-109	PAD,4X19,2HOLES,W/BP,TURQSE,W/SLIP	29.09
CWPD1141J-112	PAD,4X19,2HOLES,W/BP,REGIMENT,W/SLI	29.12
CWPD1141J-113	PAD,4X19,2HOLES,W/BP,SPC BLUE,W/SLI	29.13
CWPD1141J-115	PAD,4X19,2HOLES,W/BP,BLK LTHR,W/SLI	29.15
CWPD1141J-116	PAD,4X19,2HOLES,W/BP,NVBL LTH,W/SLI	29.16
CWPD1141J-117	PAD,4X19,2HOLES,W/BP,PUTTY,W/SLIP	29.17

CWPD1141J-118	PAD,4X19,2HOLES,W/BP,IMPRL BL,W/SLI	29.18
CWPD1141J-119	PAD,4X19,2HOLES,W/BP,YEW GRN,W/SLIP	29.19
CWPD1141J-120	PAD,4X19,2HOLES,W/BP,DSTY JD,W/SLIP	29.2
CWPD1141J-121	PAD,4X19,2HOLES,W/BP,TER COT,W/SLIP	29.21
CWPD1141J-122	PAD,4X19,2HOLES,W/BP,PAPRIKA,W/SLIP	29.22
CWPD1141J-123	PAD,4X19,2HOLES,W/BP,ASH LTHR,W/SLI	29.23
CWPD1141J-124	PAD,4X19,2HOLES,W/BP,CERULEAN LTHR,	29.24
CWPD1141J-125	PAD,4X19,2HOLES,W/BP,CHARCOAL LTHR,	29.25
CWPD1141J-126	PAD,4X19,2HOLES,W/BP,HUNTER LTHR,W/	29.26
CWPD1141J-127	PAD,4X19,2HOLES,W/BP,MOSS LTHR,W/SL	29.27
CWPD1141J-128	PAD,4X19,2HOLES,W/BP,SPICE LTHR,W/S	29.28
CWPD1141J-129	PAD,4X19,2HOLES,W/BP,TOMATO LTHR,W/	29.29
CWPF1016-731	BAR,,FLAT CR/HR, 3/8 X 2 X 8 1/4, 3	30
CW31303-721	ASSY, PIVOTING PULLEY HOUSING, WRKL	31
CWSA1117-731	ASSY,ADJ. LEVELING FOOT,BLK ZINC	32
CW31214-721	ASSY,FLOATING PULLEY HOUSING,	33
CWSA3020-211	ASSY,THIGH PAD ADJUSTER, SKY WHITE	34.01
CWSA3020-221	ASSY,THIGH PAD ADJUSTER, BLACK	34.02
CWSA3020-231	ASSY,THIGH PAD ADJUSTER, RED	34.03
CWSA3020-241	ASSY,THIGH PAD ADJUSTER, PLATINUM S	34.04
CWSA3020-251	ASSY,THIGH PAD ADJUSTER, SILVER	34.05
CWSA3020-261	ASSY,THIGH PAD ADJUSTER, BLUE	34.06
CWSA3020-271	ASSY,THIGH PAD ADJUSTER, CHARCOAL	34.07
CWSA3020-281	ASSY,THIGH PAD ADJUSTER, CATHEDRAL	34.08
CWSA3020-291	ASSY,THIGH PAD ADJUSTER, SILVER VIE	34.09
CWSA3020-311	ASSY,THIGH PAD ADJUSTER	34.11
CWSA3020-321	ASSY,THIGH PAD ADJUSTER, TITANIUM H	34.12
CWSA3020-331	ASSY,THIGH PAD ADJUSTER, WHITE GLOS	34.13
CWSA3020-341	ASSY,THIGH PAD ADJUSTER, BLACK ONYX	34.14
CWSA3020-351	ASSY,THIGH PAD ADJUSTER, LIGHT BRON	34.15
CWSA3020-361	ASSY,THIGH PAD ADJUSTER, SAPPHIRE B	34.16
CWHCYN050-100	SCREW,HEX HEAD,BLK XYLAN,1/2-13 X 1	36
CWHCCN050-600	SCREW, HEX HEAD, ZINC, 1/2-13 X 6	37
CWKDYN050-059	LOCKNUT, NYLON INSERT, FULL, UNC, 1	38
CWKADLN050-081	NUT, ACORN, 1/2-13	39
CW12537-109	NUT,INSERT,THIN-NUT,LARGE FLANGE	40
CWTAYN031-100	SCREW, BUTTON HEAD, BLK XYLAN, 5/1	41
CWTAYN031-150	SCREW, BUTTON HEAD, BLK XYLAN,5/16	42
CWTAYN031-300	SCREW, BUTTON HEAD, BLK XYLAN,5/16	43
CWCAYN025-050	SCREW, SOCKET HEAD, BLK XYLAN	44
CWCAYN038-100	SCREW, SOCKET HEAD, BLK XYLAN, 3/	45
CWBFNN050-250	STUD, 1/2-13 X 2 1/2	46
CWWBKN031-007	WASHER, FLAT, TYPE A, SAE, 5/16 ID	47
CWWBKN038-007	WASHER, FLAT, TYPE A, SAE, 3/8 ID	48
CWWBKN050-010	WASHER, FLAT, TYPE A, SAE, 1/2 ID X	49
CWWALYN031-008	WASHER, SPLIT, 5/16 ID, BL	50
CWWALYN038-009	WASHER, SPLIT, 3/8 ID, BLK XYLAN	51
CWWALYN050-013	WASHER, SPLIT, 1/2 ID, BLK XYLAN	52
CW30010-101	LABEL,WARNING STRENGTH	53
CW30158-101	ASSY, LABEL,INSTRUCTION,FT334	54
CW31756-101	LABEL, PRECOR USA ICARIAN LINE	55

CW10043-132	BUSHING, BRONZE, 1/2" ID X 3/4" OD	56
CWAC220-901	HANDLE END CAP W/SET SCREWS, DIA 3/	57
CWAC1236-101	GUIDE INSERT, PLASTIC WITHOUT HOLE,	59
CW10510-721	ASSY, PLATE, WEIGHT, 10 LBS, WRKL B	201
CW10520-721	ASSY, PLATE, WEIGHT, 20 LBS, WRKL B	202
CWAC1133-101	BUSHING, WEIGHT PLATE, LDPE PLASTIC	203
CW30173-751	ASSY, 6.00 IN WEIGHT STACK PIN AND	228
CWLDNN038-200	PIN, ROLL, DIA 3/8 X 2	250
CW30184-901	ASSY,BARREL, TOP PLATE,ALUMINUM	251
CW10550-721	PLATE, WEIGHT, MED TOP (MTP-S), 10	283
CW10550-722	PLATE, WEIGHT, MED TOP (MTP-S), 10	283
CW30130-711	SELECTOR STEM, 15 PLATE,0 .875 DIA,	304
CW30011-101	LABEL,WARNING WEIGHT STACK	311
CW12401-102	LABEL, WEIGHT PLATE, 10 LBS/ 4.6 KG	315
CW12401-104	LABEL, WEIGHT PLATE, 15 LBS/ 6.8 KG	317
CW12401-106	LABEL, WEIGHT PLATE, 20 LBS/ 8 KG	319
CW12401-108	LABEL, WEIGHT PLATE, 25 LBS/ 11.4 K	321
CW12401-110	LABEL, WEIGHT PLATE, 30 LBS/ 13.6 K	323
CW12401-112	LABEL, WEIGHT PLATE, 35 LBS/ 15.9 K	325
CW12401-114	LABEL, WEIGHT PLATE, 40 LBS/ 18.2 K	327
CW12401-116	LABEL, WEIGHT PLATE, 45 LBS/ 20.5 K	329
CW12401-118	LABEL, WEIGHT PLATE, 50 LBS/ 22.7 K	331
CW12401-119	LABEL, WEIGHT PLATE, 55 LBS/ 25 KG	332
CW12401-120	LABEL, WEIGHT PLATE, 60 LBS/ 27.3 K	333
CW12401-121	LABEL, WEIGHT PLATE, 65 LBS/ 29.5 K	334
CW12401-122	LABEL, WEIGHT PLATE, 70 LBS/ 31.8 K	335
CW12401-123	LABEL, WEIGHT PLATE, 75 LBS/ 34.1 K	336
CW12401-124	LABEL, WEIGHT PLATE, 80 LBS/ 36.4 K	337
CW12401-125	LABEL, WEIGHT PLATE, 85 LBS/ 38.6 K	338
CW12401-126	LABEL, WEIGHT PLATE, 90 LBS/ 40.9 K	339
CW12401-127	LABEL, WEIGHT PLATE, 95 LBS/ 43.2 K	340
CW12401-128	LABEL, WEIGHT PLATE, 100 LBS/ 45.5	341
CW12401-152	LABEL, WEIGHT PLATE, 105 LBS/ 47.7	365
CW12401-153	LABEL, WEIGHT PLATE, 115 LBS/ 52.3	366
CW12401-154	LABEL, WEIGHT PLATE, 125 LBS/ 56.8	367
CW12537-109	NUT,INSERT,THIN-NUT,LARGE FLANGE	400
CW30126-101	LABEL,VINYL, PRECOR, 3.25 X 18.0	401
CWPF3143-211	SHROUD,SHEET,STEEL,3/32 THICK,4 BEN	402.01
CWPF3143-221	SHROUD,SHEET,STEEL,3/32 THICK,4 BEN	402.02
CWPF3143-231	SHROUD,SHEET,STEEL,3/32 THICK,4 BEN	402.03
CWPF3143-241	SHROUD,SHEET,STEEL,3/32 THICK,4 BEN	402.04
CWPF3143-251	SHROUD,SHEET,STEEL,3/32 THICK,4 BEN	402.05
CWPF3143-261	SHROUD,SHEET,STEEL,3/32 THICK,4 BEN	402.06
CWPF3143-271	SHROUD,SHEET,STEEL,3/32 THICK,4 BEN	402.07
CWPF3143-281	SHROUD,SHEET,STEEL,3/32 THICK,4 BEN	402.08
CWPF3143-291	SHROUD,SHEET,STEEL,3/32 THICK,4 BEN	402.09
CWPF3143-311	SHROUD,SHEET,STEEL,3/32 THICK,4 BEN	402.11
CWPF3143-321	SHROUD,SHEET,STEEL,3/32 THICK,4 BEN	402.12
CWPF3143-331	SHROUD,SHEET,STEEL,3/32 THICK,4 BEN	402.13
CWPF3143-341	SHROUD,SHEET,STEEL,3/32 THICK,4 BEN	402.14
CWPF3143-351	SHROUD,SHEET,STEEL,3/32 THICK,4 BEN	402.15

CWPF3143-361	SHROUD,SHEET,STEEL,3/32 THICK,4 BEN	402.16
CWPF3143-711	SHROUD,SHEET,STEEL,3/32 THICK,4 BEN	402.17
CWPF3144-721	SHROUD BRKT,PLATE,STEEL,1/8 THICK,1	403
CWPF3145-721	SHROUD BRKT,PLATE,STEEL,1/8 THICK,2	404
CWTAYN031-100	SCREW, BUTTON HEAD, BLK XYLAN, 5/1	405
CWWALYN031-008	WASHER, SPLIT, 5/16 ID, BL	406
CWWBKN031-007	WASHER, FLAT, TYPE A, SAE, 5/16 ID	407
CWAC1177-101	FLOOR PROTECTOR, RUBBER, 4.563 X 4.	501
CWAC1179-101	FLOOR PROTECTOR, RUBBER, 4.813 X 2.	502
CWAC1180-101	FLOOR PROTECTOR, RUBBER, 2.563 X 4.	503